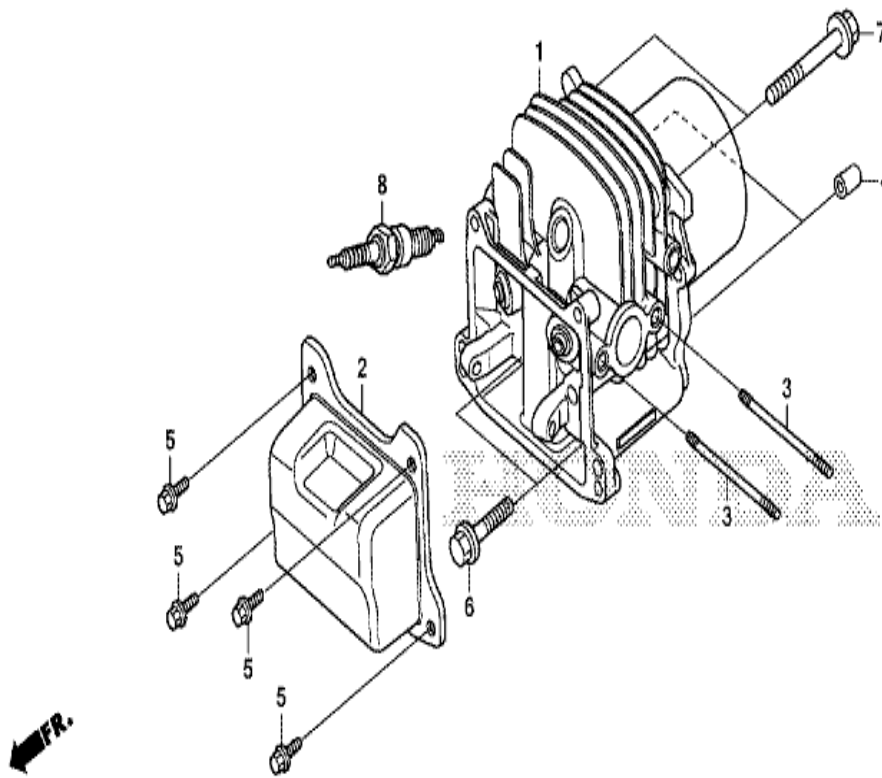


GCV170H

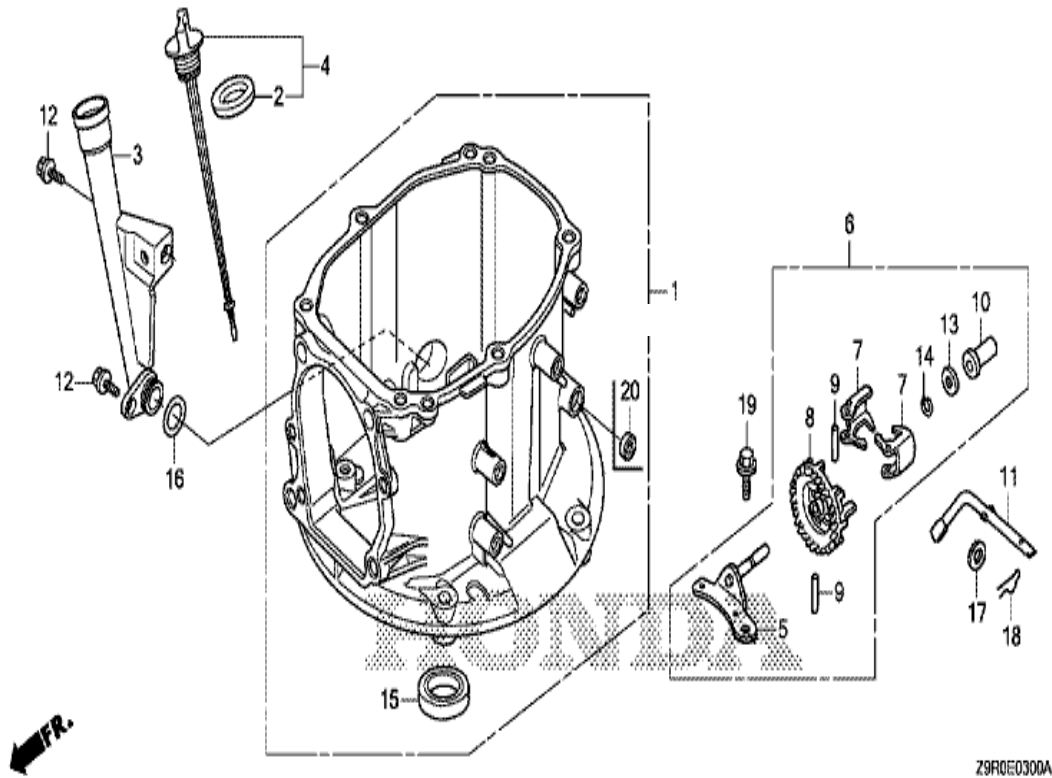
E-2 CYLINDER HEAD



Z9R0E0200

Refnr	Part Number	Description	from	to	Unit Qty.	Order Qty.	Repair Qty.
1	12100-Z9L-405	CYLINDER COMP.			001	0	0
2	12311-Z9L-000	COVER, HEAD			001	0	0
3	90043-Z9L-000	BOLT, STUD, 6X82 (CT200)			002	0	0
4	94301-08140	DOWEL PIN, 8X14			002	0	0
5	95701-06014-08	BOLT, FLANGE, 6X14			004	0	0
6	95701-08025-08	BOLT, FLANGE, 8X25			002	0	0
7	95701-08040-08	BOLT, FLANGE, 8X40			002	0	0
8	98079-55846	PLUG, SPARK (BPR5ES) (NGK)			001	0	0

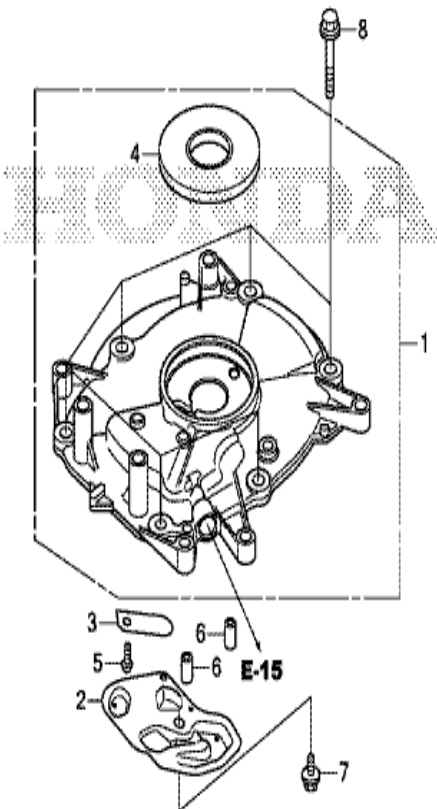
GCV170H
E-3 CRANKCASE



Refnr	Part Number	Description	from	to	Unit Qty.	Order Qty.	Repair Qty.
1	11100-Z9L-415	CRANKCASE ASSY.			001	0	0
2	15625-ZE6-000	PACKING, OIL FILLER CAP			001	0	0
3	15631-Z9L-000	EXTENSION, OIL FILLER			001	0	0
4	15650-Z9L-000	GAUGE ASSY., OIL LEVEL			001	0	0
5	16508-ZM0-010	SHAFT COMP., GOVERNOR HOLDER			001	0	0
6	16510-ZM0-010	GOVERNOR ASSY.			001	0	0
7	16511-ZL8-000	WEIGHT, GOVERNOR			002	0	0
8	16512-ZM0-000	HOLDER, GOVERNOR WEIGHT			001	0	0
9	16513-ZE1-000	PIN, GOVERNOR WEIGHT			002	0	0
10	16531-Z1T-000	SLIDER, GOVERNOR			001	0	0
10	16531-ZE1-000	SLIDER, GOVERNOR			001	0	0
11	16541-Z9L-000	SHAFT, GOVERNOR ARM			001	0	0
12	90013-ZL8-000	BOLT, FLANGE, 6X14 (CT200)			002	0	0
13	90451-Z1T-000	WASHER, THRUST, 6MM			001	0	0
13	90451-ZE1-000	WASHER, THRUST, 6MM			001	0	0
14	90602-ZE1-000	CLIP, GOVERNOR HOLDER			001	0	0
15	91202-Z9L-003	OIL SEAL, 28X41.25X6 (NOK)			001	0	0
15	91202-Z9R-003	OIL SEAL, 28X41.25X6 (JIANGMEN XINHUI)			001	0	0
15	91202-ZM0-V31	OIL SEAL, 28X41.25X6 (NOK)			001	0	0
16	91301-Z9L-000	O-RING, 19.1X2.2			001	0	0
17	94101-06800	WASHER, PLAIN, 6MM			001	0	0
18	94251-08000	PIN, LOCK, 8MM			001	0	0
19	95701-06014-08	BOLT, FLANGE, 6X14			001	0	0

GCV170H

E-6 CRANKCASE COVER

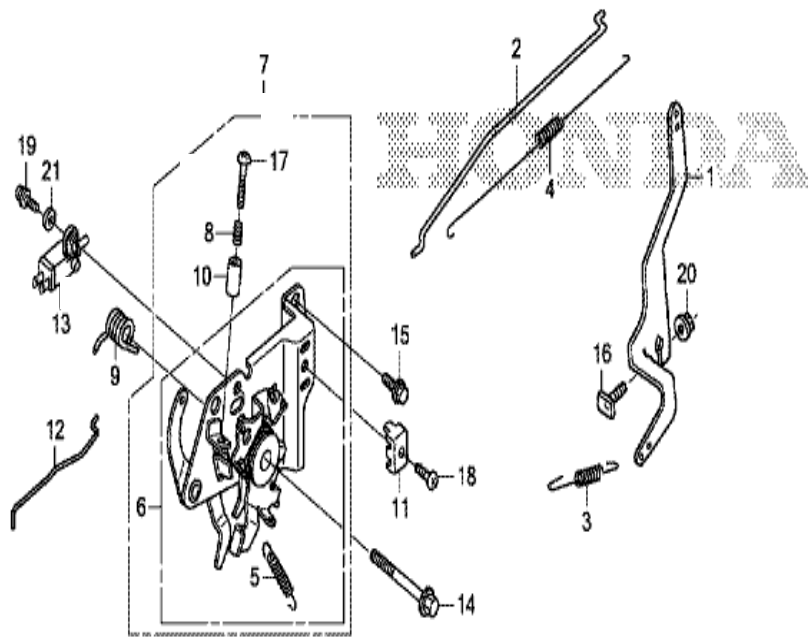


Z9R000600

Refnr	Part Number	Description	from	to	Unit Qty.	Order Qty.	Repair Qty.
1	11300-Z9L-405	COVER ASSY., CRANKCASE			001	0	0
2	12356-Z9L-000	COVER, BREATHER			001	0	0
3	12377-Z9L-000	PLATE, VALVE			001	0	0
4	91201-Z0Y-003	OIL SEAL, 25.4X62X6 (ARAI)			001	0	0
4	91201-Z9V-003	OIL SEAL, 25.4X62X6 (FREUDENBERG-NOK)			001	0	0
5	93500-05008-0A	SCREW, PAN, 5X8			001	0	0
6	94301-08140	DOWEL PIN, 8X14			002	0	0
7	95701-06014-08	BOLT, FLANGE, 6X14			001	0	0
8	95701-08025-08	BOLT, FLANGE, 8X25			006	0	0

GCV170H

E-22 CONTROL

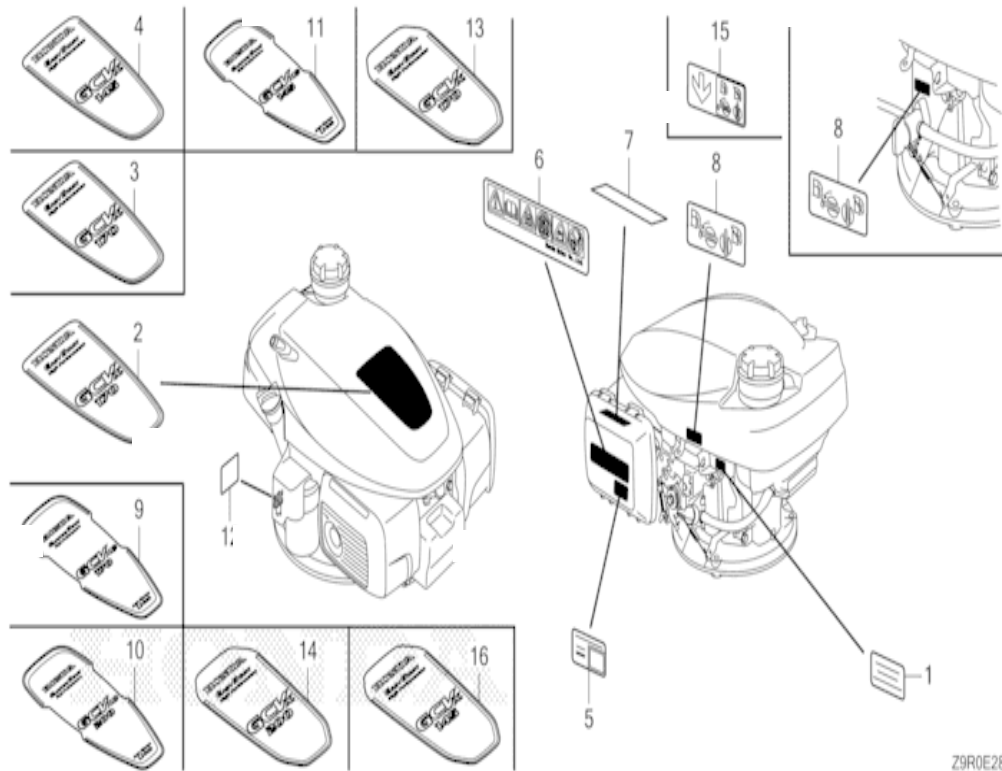


Z9RGE2200

Refnr	Part Number	Description	from	to	Unit Qty.	Order Qty.	Repair Qty.
1	16551-Z9L-000	ARM, GOVERNOR			001	0	0
2	16555-Z9L-000	ROD, GOVERNOR			001	0	0
3	16561-Z9P-000	SPRING, GOVERNOR			001	0	0
4	16562-Z9L-000	SPRING, THROTTLE RETURN			001	0	0
5	16576-ZE7-300	SPRING, LEVER			001	0	0
6	16580-Z9L-820	BASE COMP., CONTROL			001	0	0
11	16617-VG3-000	HOLDER, CABLE			001	0	0
12	16674-Z9L-800	ROD, CHOKE			001	0	0
14	90014-888-000	BOLT, FLANGE, 6X50 (CT200)			001	0	0
15	90014-952-000	BOLT, FLANGE, 6X14 (CT200)			001	0	0
16	90015-ZE5-010	BOLT, GOVERNOR ARM			001	0	0
18	93500-05016-0A	SCREW, PAN, 5X16			001	0	0
20	94050-06000	NUT, FLANGE, 6MM			001	0	0

GCV170H

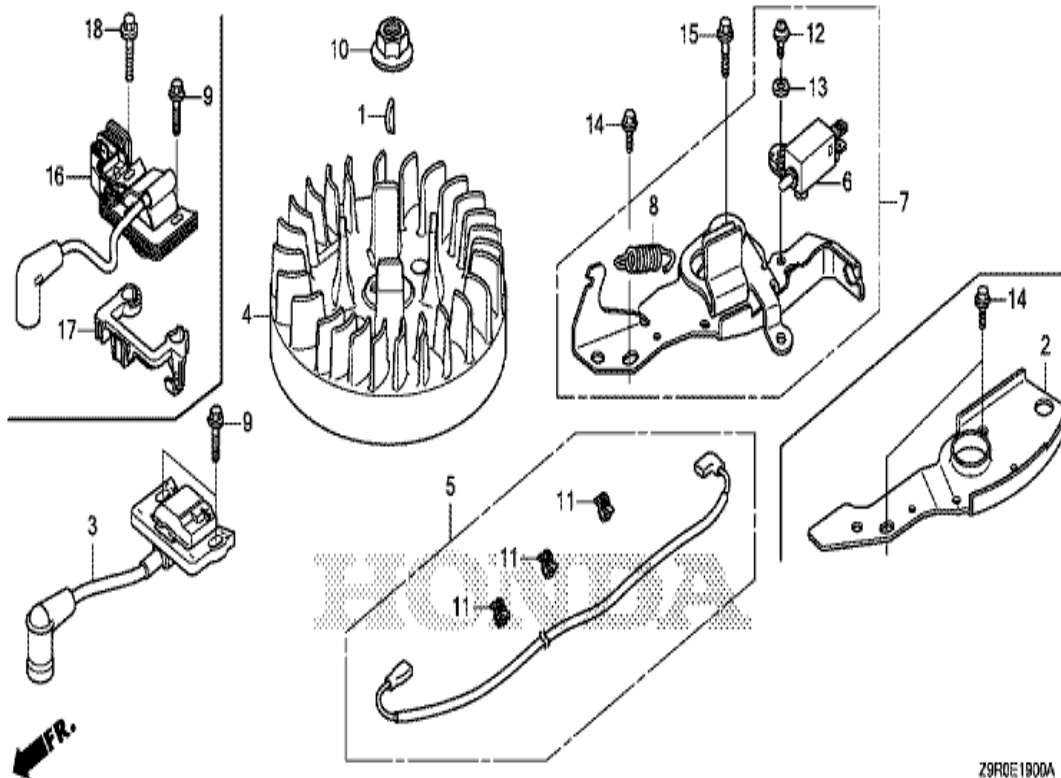
E-28 LABEL



Z9R0E2800C

Refnr	Part Number	Description	from	to	Unit Qty.	Order Qty.	Repair Qty.
1	87114-ZH7-840	LABEL, WARNING (NOT CERTIFIED FOR SALE)			001	0	0
5	87518-Z9L-000	LABEL, QR CODE (SERVICE)			001	0	0
6	87519-Z9R-000	LABEL, OPERATOR CAUTION			001	0	0
8	87592-Z9L-000	MARK, FUEL COCK			001	0	0
13	87169-Z9R-830	MARK, TOP COVER			001	0	0

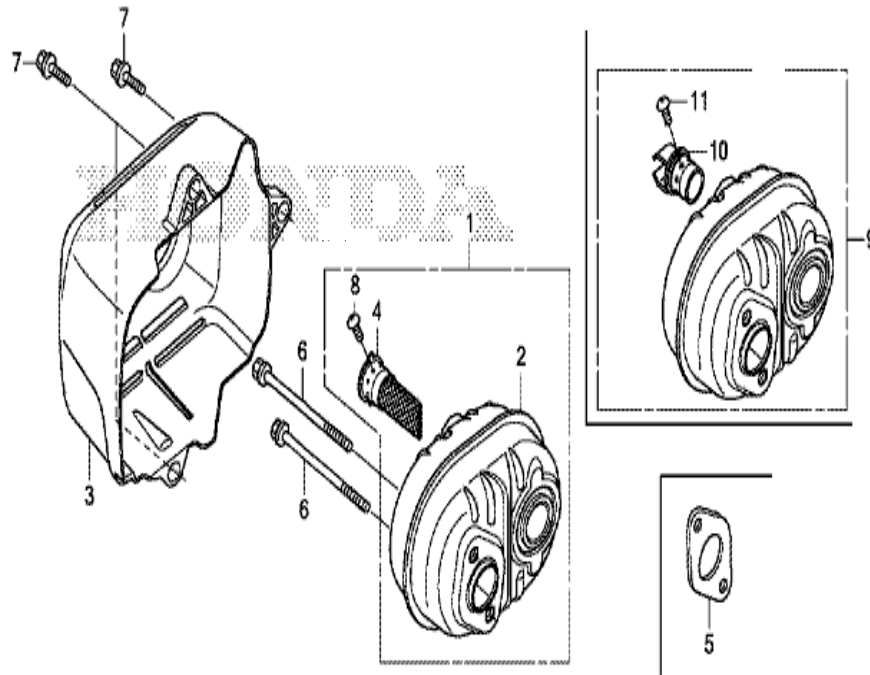
GCV170H
E-19 FLYWHEEL



Z9R0E1900A

Refnr	Part Number	Description	from	to	Unit Qty.	Order Qty.	Repair Qty.
1	13331-Z8B-900	KEY, SPECIAL WOODRUFF, 25X18			001	0	0
3	30500-Z9R-801	COIL ASSY., IGNITION			001	0	0
4	31110-Z9L-013	FLYWHEEL COMP.			001	0	0
5	32195-Z9L-000	CORD, STOP SWITCH			001	0	0
6	35120-Z9L-811	SWITCH ASSY., ENGINE STOP			001	0	0
7	75100-Z9L-810	BRAKE ASSY.			001	0	0
8	75113-Z9L-020	SPRING, BRAKE LEVER			001	0	0
9	90018-ZE1-000	BOLT, FLANGE, 6X23 (CT200)			002	0	0
10	90213-Z9L-000	NUT, FLANGE, 14MM			001	0	0
11	91541-S0A-003	CLIP, HARNESS BAND (BLACK) (145MM)			003	0	0
12	93892-04012-00	SCREW-WASHER, 4X12			001	0	0
13	94103-04000	WASHER, PLAIN, 4MM			001	0	0
14	95701-06014-08	BOLT, FLANGE, 6X14			001	0	0
15	95701-06022-08	BOLT, FLANGE, 6X22			001	0	0

GCV170H
E-16 MUFFLER



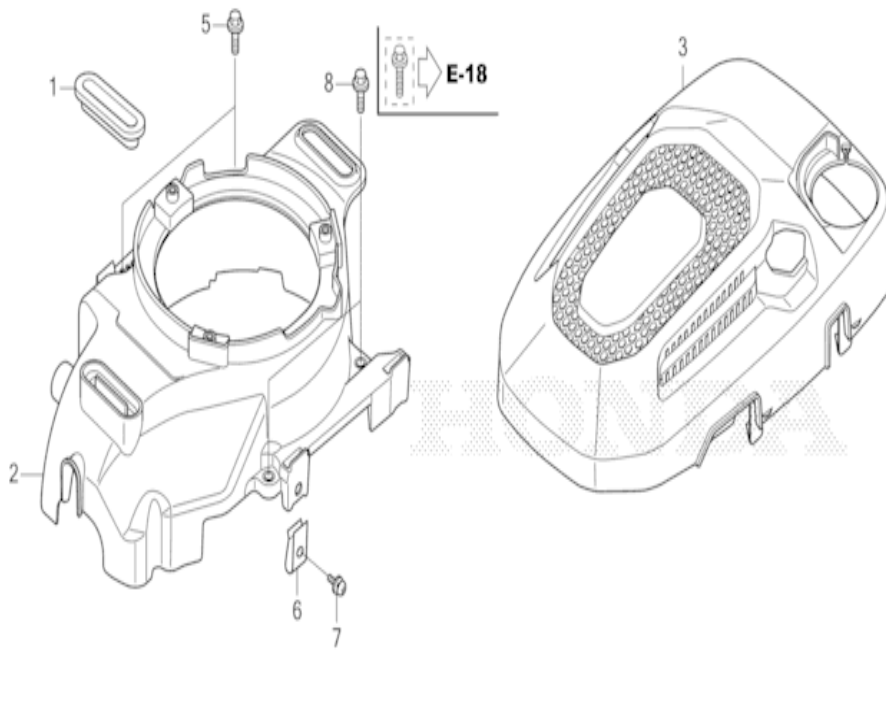
FR.

Z9R0E1600A

Refnr	Part Number	Description	from	to	Unit Qty.	Order Qty.	Repair Qty.
2	18310-Z9L-000	MUFFLER COMP.			001	0	0
3	18320-Z9L-000	PROTECTOR COMP., MUFFLER			001	0	0
5	18381-ZL8-305	GASKET, MUFFLER			001	0	0
6	90004-ZL8-000	BOLT, FLANGE, 6X79 (CT200)			002	0	0
7	90018-ZE1-000	BOLT, FLANGE, 6X23 (CT200)			003	0	0

GCV170H

E-12-2 FAN COVER (3)

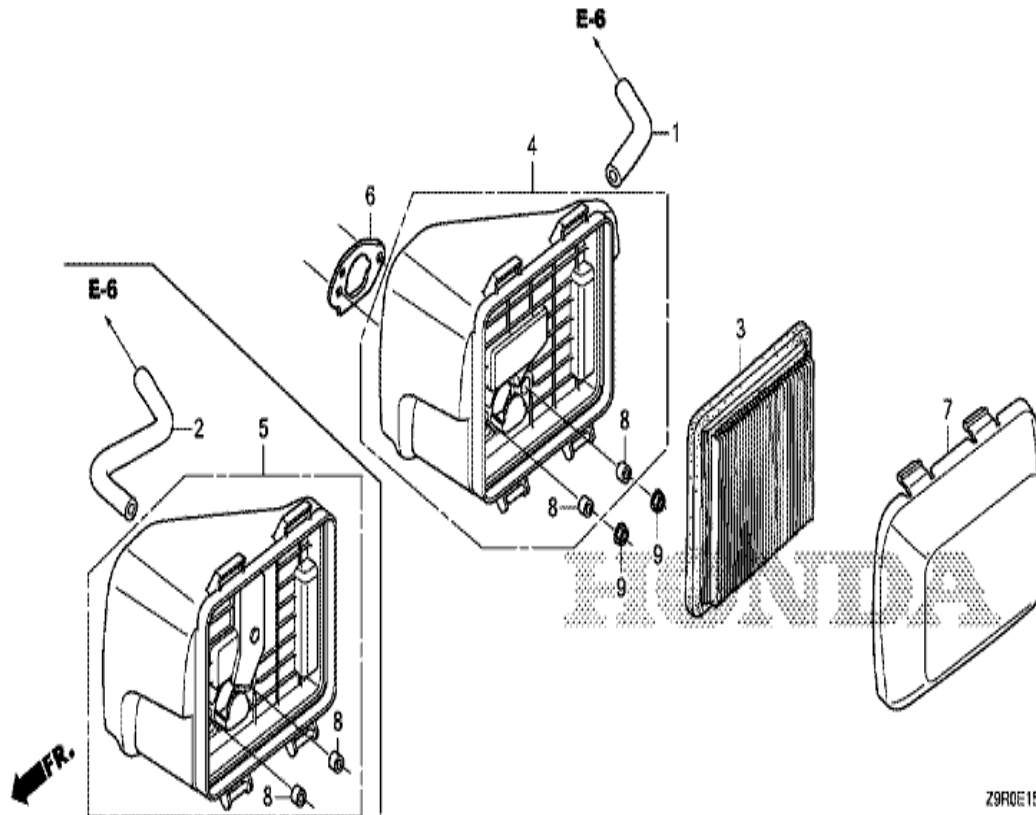


Z9R0E1202

Refnr	Part Number	Description	from	to	Unit Qty.	Order Qty.	Repair Qty.
1	17532-Z9L-000	RUBBER A, TANK MOUNTING			001	0	0
2	19610-Z9R-830	COVER COMP, FAN			001	0	0
3	19721-Z9R-850ZA	COVER, TOP *NH1* (NH1 BLACK)			001	0	0
5	90018-ZE1-000	BOLT, FLANGE, 6X23 (CT200)			002	0	0
6	90201-Z9R-000	NUT, SPRING, 5MM			001	0	0
7	93891-05008-07	SCREW-WASHER, 5X8			001	0	0
8	90018-ZE1-000	BOLT, FLANGE, 6X23 (CT200)			002	0	0

GCV170H

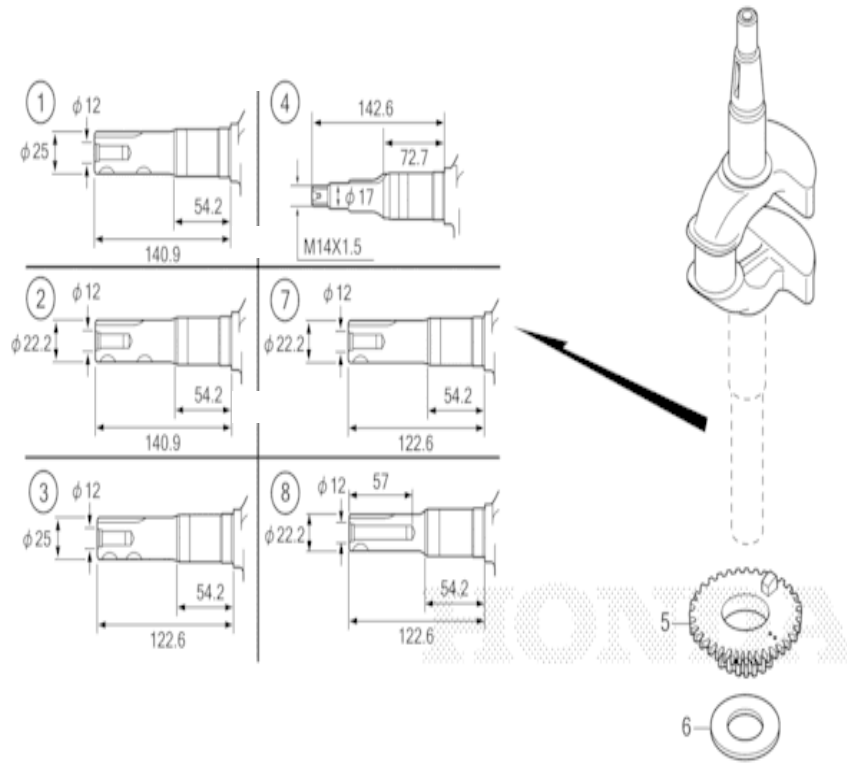
E-15 AIR CLEANER



Z9R0E1500

Refnr	Part Number	Description	from	to	Unit Qty.	Order Qty.	Repair Qty.
2	15721-Z9L-800	TUBE, BREATHER			001	0	0
3	17211-Z9R-003	ELEMENT, AIR CLEANER (ZHEJIANG HENBO)			001	0	0
5	17220-Z9L-800	CASE COMP., AIR CLEANER			001	0	0
6	17228-Z9L-000	PACKING, AIR CLEANER			001	0	0
7	17231-Z9L-000	COVER, AIR CLEANER			001	0	0
8	17238-Z9L-300	COLLAR, AIR CLEANER			002	0	0
8	17238-ZG9-M00	COLLAR, AIR CLEANER			002	0	0
9	94050-06000	NUT, FLANGE, 6MM			002	0	0

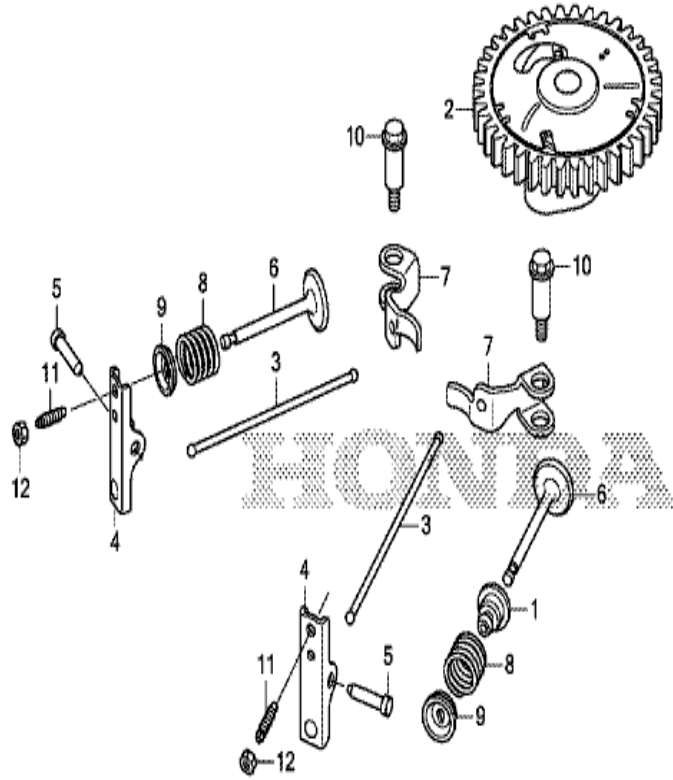
GCV170H
E-7 CRANKSHAFT



Z9R0E0700B

Refnr	Part Number	Description	from	to	Unit Qty.	Order Qty.	Repair Qty.
2	13311-Z9L-810	CRANKSHAFT (N1-TYPE)			001	0	0
5	14311-Z9L-000	GEAR, TIMING			001	0	0
6	90402-Z9L-000	WASHER, THRUST			001	0	0

GCV170H
E-9 CAMSHAFT



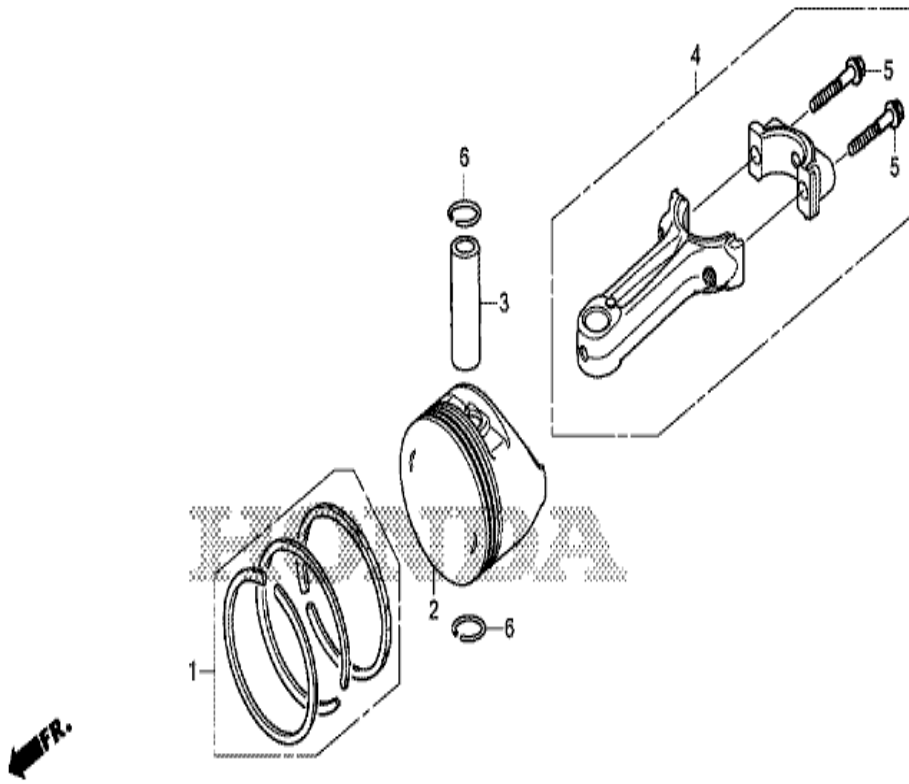
FR.

Z9R0E0900

Refnr	Part Number	Description	from	to	Unit Qty	Order Qty	Repair Qty
no items found							

GCV170H

E-8 PISTON/CONNECTING ROD

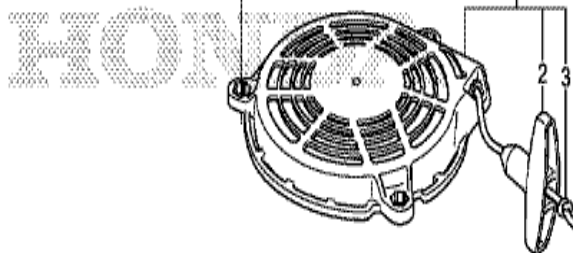


Z9R0E0800

Refnr	Part Number	Description	from	to	Unit Qty.	Order Qty.	Repair Qty.
1	13010-Z9L-003	RING SET, PISTON			001	0	0
1	13010-Z9R-003	RING SET, PISTON			001	0	0
2	13101-Z9R-000	PISTON			001	0	0
3	13111-ZE0-000	PIN, PISTON			001	0	0
4	13200-Z9L-000	ROD ASSY., CONNECTING			001	0	0
5	90001-Z1L-000	BOLT, CONNECTING ROD			002	0	0
6	90551-ZE0-000	CLIP, PISTON PIN, 13MM			002	0	0

GCV170H

E-11 RECOIL STARTER

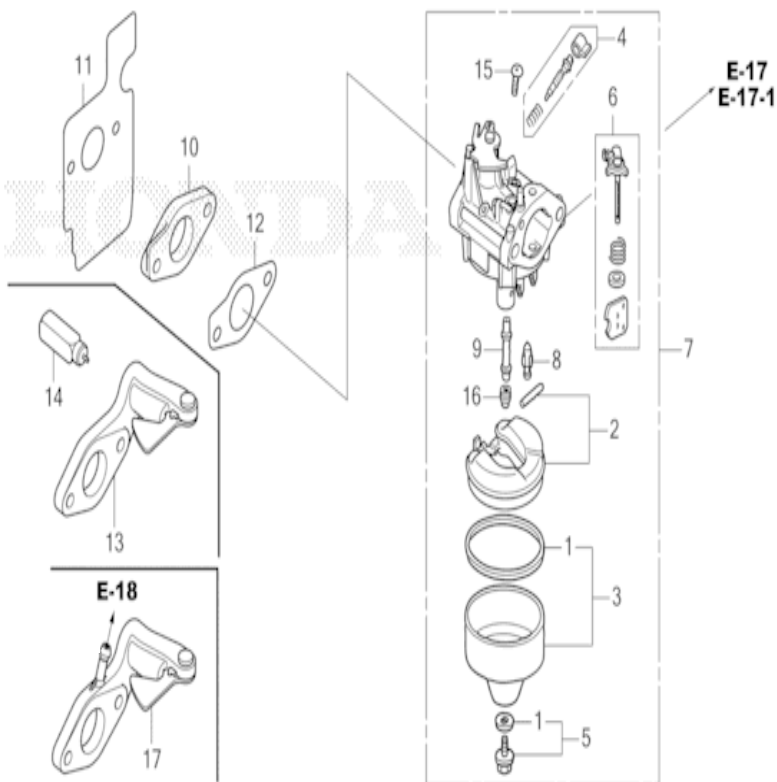


Z9R0E1100

Refnr	Part Number	Description	from	to	Unit Qty.	Order Qty.	Repair Qty.
1	28400-Z9L-014	STARTER ASSY., RECOIL (LONG ROPE)			001	0	0
2	28461-ZL8-003	GRIP, STARTER			001	0	0
3	28462-Z0L-V71	ROPE, RECOIL STARTER (LONG TYPE)			001	0	0
4	95701-06014-08	BOLT, FLANGE, 6X14			003	0	0

GCV170H

E-14 CARBURETOR

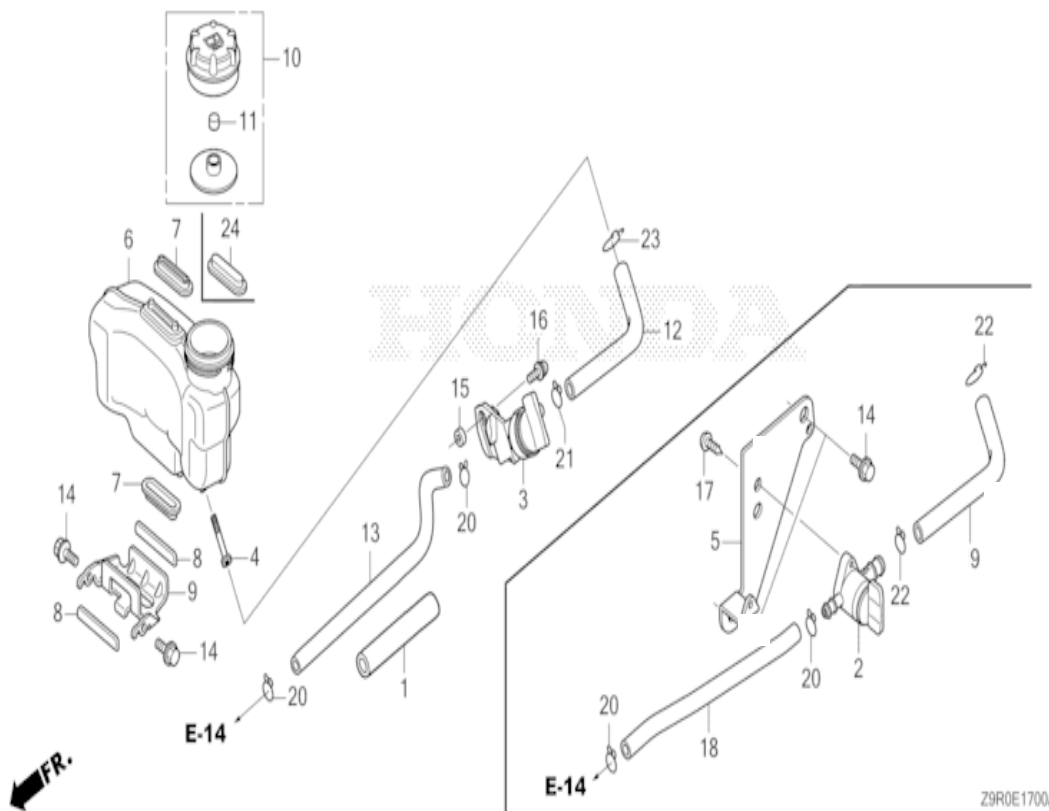


Z9R0E1400A

Refnr	Part Number	Description	from	to	Unit Qty.	Order Qty.	Repair Qty.
1	16010-Z9L-811	GASKET SET			001	0	0
2	16013-ZL1-003	FLOAT SET			001	0	0
3	16015-Z9L-811	CHAMBER SET, FLOAT			001	0	0
4	16016-Z9M-811	SCREW SET			001	0	0
5	16028-ZE0-005	SCREW SET			001	0	0
6	16044-Z9M-801	CHOKE SET			001	0	0
7	16100-Z9S-801	CARBURETOR ASSY. (BB76N A)			001	0	0
8	16155-ZL8-013	VALVE COMP., FLOAT			001	0	0
9	16166-Z9S-811	NOZZLE, MAIN			001	0	0
10	16211-Z9L-800	INSULATOR, CARBURETOR			001	0	0
11	16212-Z9L-000	PACKING, INSULATOR			001	0	0
12	16221-Z9L-000	PACKING, CARBURETOR			001	0	0
15	93500-05006-1H	SCREW, PAN, 5X6			001	0	0
16	99101-124-0600	JET, MAIN, #60			(1)	0	0
16	99101-124-0620	JET, MAIN, #62			(1)	0	0
16	99101-124-0650	JET, MAIN, #65			001	0	0

GCV170H

E-17 FUEL TANK (1)



Refnr	Part Number	Description	from	to	Unit Qty.	Order Qty.	Repair Qty.
1	16854-ZH8-000	RUBBER, SUPPORTER (107MM)			001	0	0
3	16950-ZM0-003	COCK ASSY., FUEL			001	0	0
4	16952-Z9R-000	STRAINER, FUEL			001	0	0
6	17511-Z9L-800	TANK, FUEL			001	0	0
7	17532-Z9L-000	RUBBER A, TANK MOUNTING			001	0	0
8	17533-Z9L-000	RUBBER B, TANK MOUNTING			002	0	0
9	17561-Z9L-000	STAY, FUEL TANK			001	0	0
10	17620-Z9L-800	CAP ASSY., FUEL TANK			001	0	0
11	17622-888-010	SPONGE, FUEL CAP BREATHER			001	0	0
12	17701-Z9L-820	TUBE, FUEL TANK			001	0	0
13	17702-ZM0-800	TUBE, FUEL			001	0	0
14	90014-952-000	BOLT, FLANGE, 6X14 (CT200)			002	0	0
15	91501-Z0L-800	COLLAR, FUEL COCK			001	0	0
16	93891-05010-08	SCREW-WASHER, 5X10			001	0	0
20	95002-02080	CLIP, TUBE (B8)			002	0	0
21	95002-02100	CLIP, TUBE (B10)			001	0	0
23	95002-70000	CLIP, TUBE (C11)			001	0	0
24	17532-Z9W-000	RUBBER A, TANK MOUNTING			001	0	0